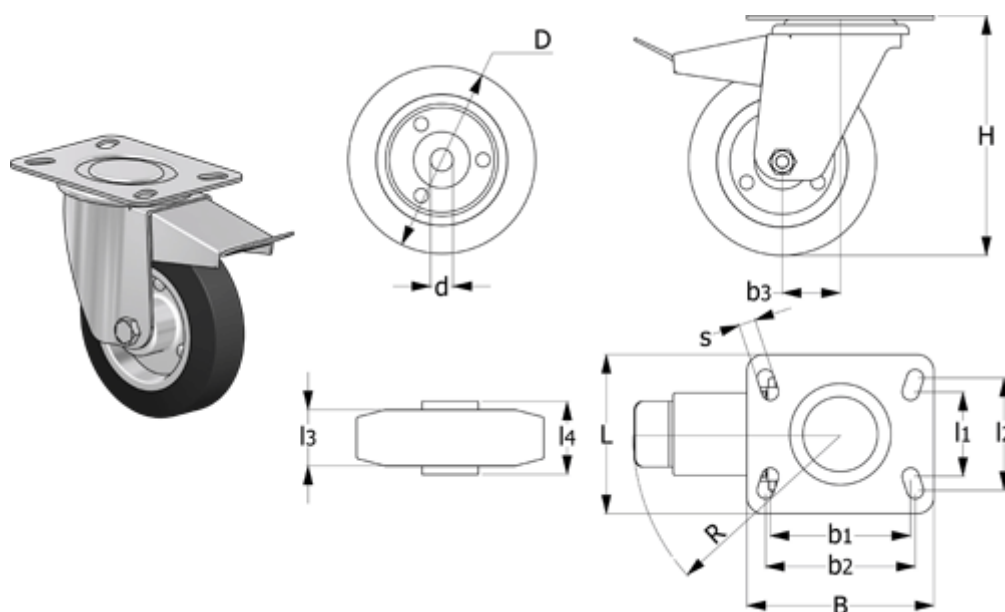


# Data Sheet



Article number: 2314450116  
 Description: E+G rubber wheel 450116  
 RE.E3-150-SBF-N turning plate w/brake

## Measures



B	= 100	g = 1570	Rolling resistance (N) = 1000
b1	= 75	H = 182	s = 9
b2	= 80	L = 85	Type = RE.E3-150-SBF
b3	= 37	l1 = 45	
Code	= 450116	l2 = 60	
D	= 150	l3 = 40	
d	= 15	l4 = 44	
Dynamic load (N)	= 1700	R = 120	